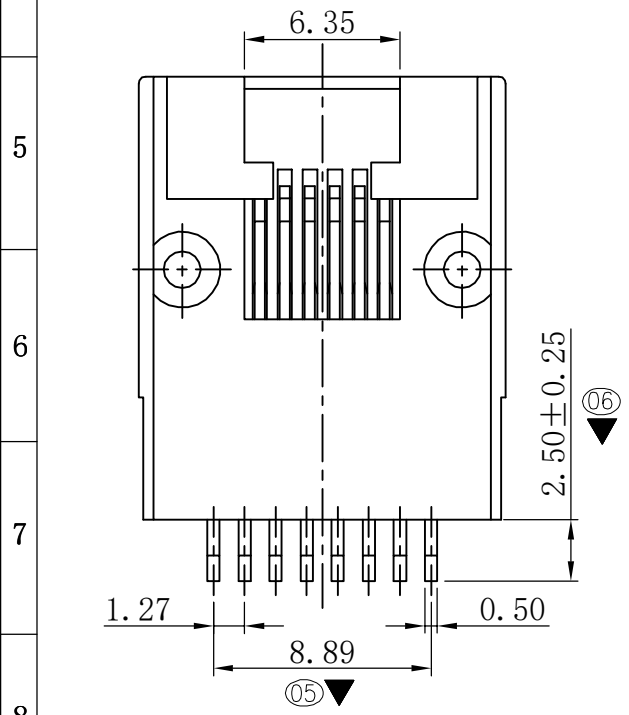
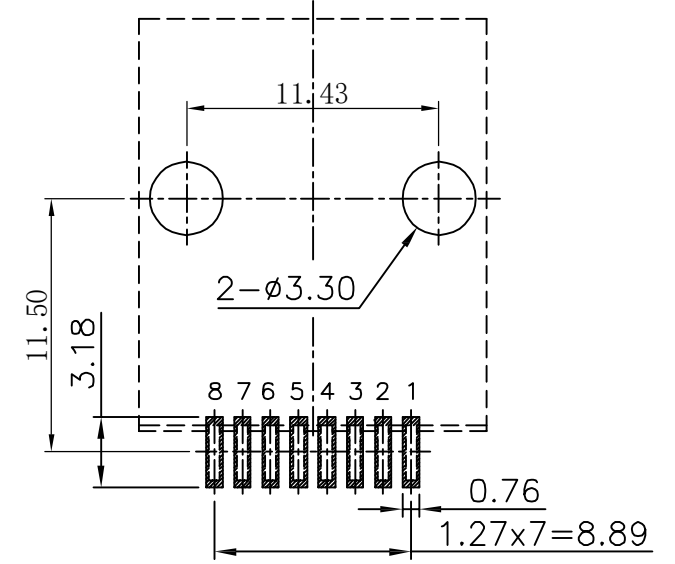
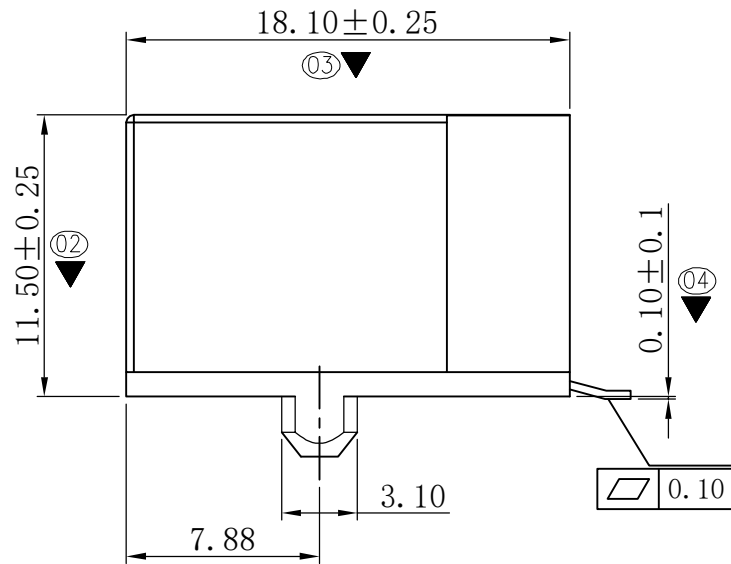
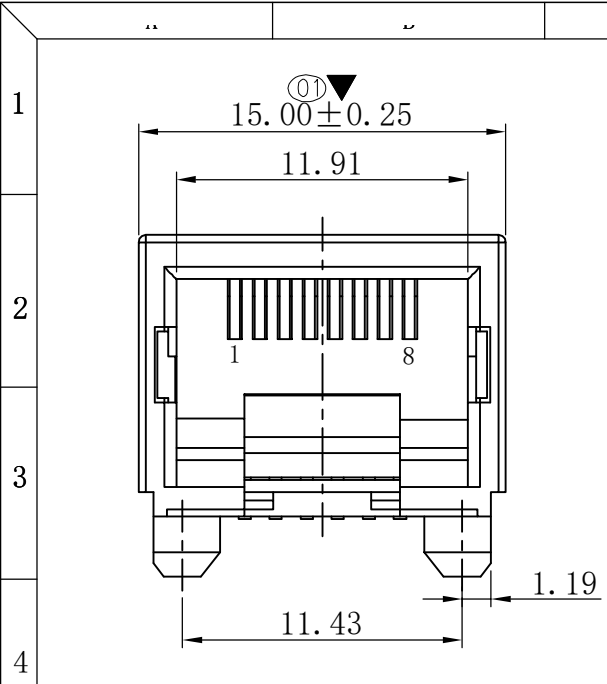


REV.	ECN. NO.	NAME	DATA
A0	NEW	王炼	2016-04-14
A1	新增加料号	DING	2017-12-14



**ELECTRICAL:**  
 1. VOLTAGE RATING: 125 VAC RMS  
 2. CURRENT RATING: 1.5 AMP  
 3. CONTACT RESISTANCE: 40mΩ MAX.  
 4. INSULATION RESISTANCE: 1000MΩMIN. AT 500V DC.  
 5. DIELECTRIC STRENGTH: 1000 VAC 50Hz 1MINUTE

**MECHANICAL:**  
 1. HOUSING MATERIAL: THERMOPLASTIC, UL94V-0 RATED, COLOR BLACK.  
 2. CONTACT MATERIAL: PHOSPHOR BRONZE C5191-H T=0.30MM  
 3. PLATING: GOLD PLATING OVER NICKEL IN CONTACT. TIN PLATING OVER NICKEL IN SOLDER AREA.  
 4. OPERATING LIFE: 750 CYCLES MIN.

**ENVIRONMENTAL:**  
 1. STORAGE: -40°C TO +85°C  
 2. OPERATION: -40°C TO +70°C

PCB LAYOUT/TOP VIEW

序号	品名规格	料号	包装方式
1	RJ45 18.1 SMT JACK 全塑 圆脚 6U		卷装
2	RJ45 18.1 SMT JACK 全塑 圆脚 FU		卷装
3			

DETACHED LISTS	MM (INCH)	绘图: DING 2017-12-14
	公差: TOLERANCES	(Designed)
	MM	审核: (Checked)
	MM	批准: (Approved)
	角度 (ANGLES) ± 1.5°	材料: SEE NOTES (Material)
第三角视图	比例: 1:1 (SCALE)	

**东莞市欣旺久电子有限公司**

系列 (SERIES)	名称 (NAME)	
RJ	RJ45 18.1 SMT JACK 全塑 圆脚	
图号 (DWG NO.):	料号 (PART NO): 见表格	版本 REV. A1
单位 (UNIT): MM	共 (SHEET) 1 页	第 (OF) 1 页